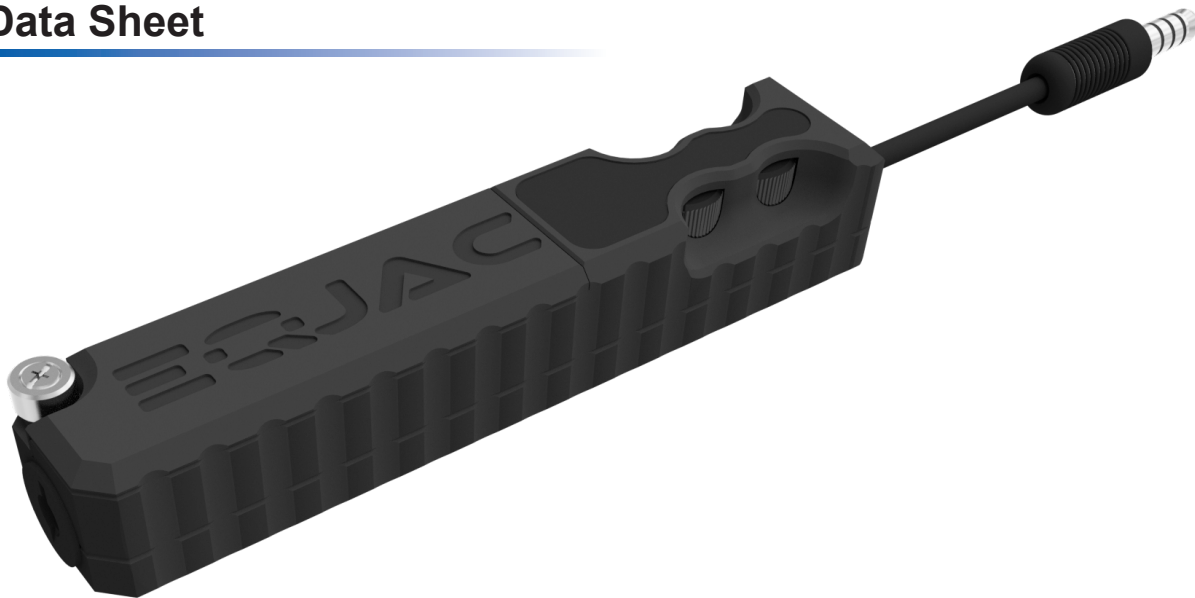




## eqJAC-006

### Headphone Dual Audio Notch Filter

#### Data Sheet



#### eqJAC-006

The eqJAC-006 Headphone Dual Audio Notch filter allows the user to select manually two narrow bands of unwanted frequencies to be removed from the headphone audio.

#### Features

The eqJAC-006 has one control to adjust the center frequency of the notch filter.

The eqJAC-006 operates using four AAA batteries and requires no other external power.

The eqJAC-006 unit features an industry standard U-174/U (TP-120) plug to interface with a high impedance audio panel, and supports an automatic on/off power function that senses the intercom microphone bias voltage, allowing the user to unplug the unit from the aircraft to turn power off.



# eqJAC-006 Specifications

## Dimensions

Weight: TBD

## Environment and Performance

Operational Temperature	-15 °C to +50 °C
Humidity	95%
Altitude	25,000 ft. MAX
Shock	20g (any axis)
Mic Channel	Sense Mic bias Voltage for ON/OFF - straight through Audio
Phones Channel	Max 6.7 Vrms input - unity gain
Filter Frequency Range	2,000 to 5,000 Hz
Case Material	Polycarbonate Plastic

