



JA41-004

Low Power Audio Isolation Transformer 2 Channel

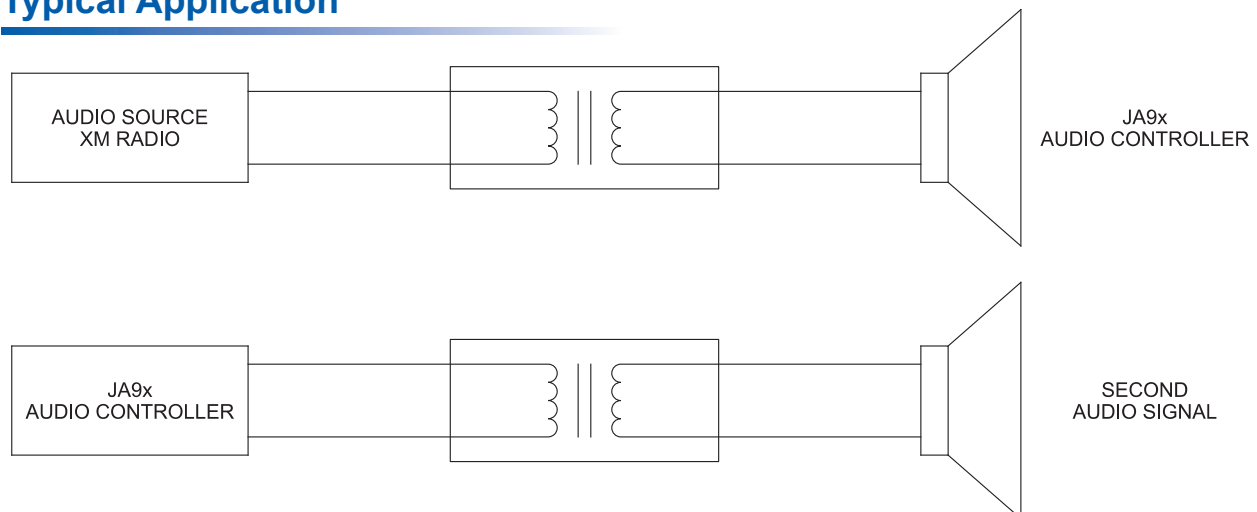
Data Sheet



Description

The JA41-004 Low Power Audio Isolation Transformer - 2 Channel provides two audio channels with galvanic isolation for use between low voltage level output amplifiers and high input impedance audio panels in the aircraft. Input to output signal voltages are 1:2 ratio.

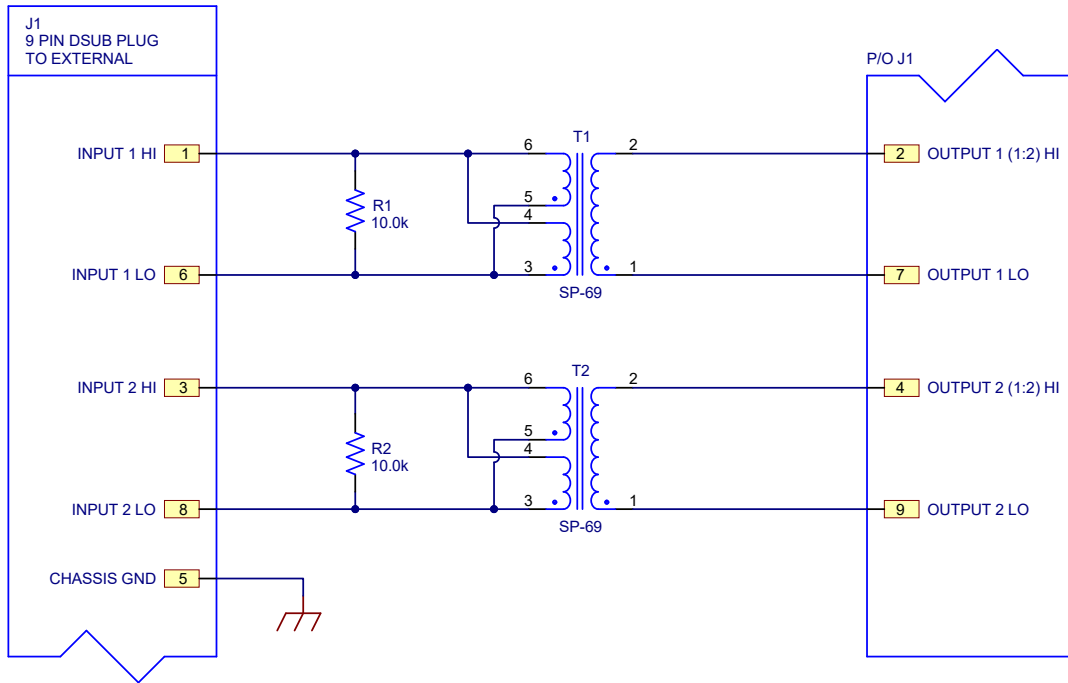
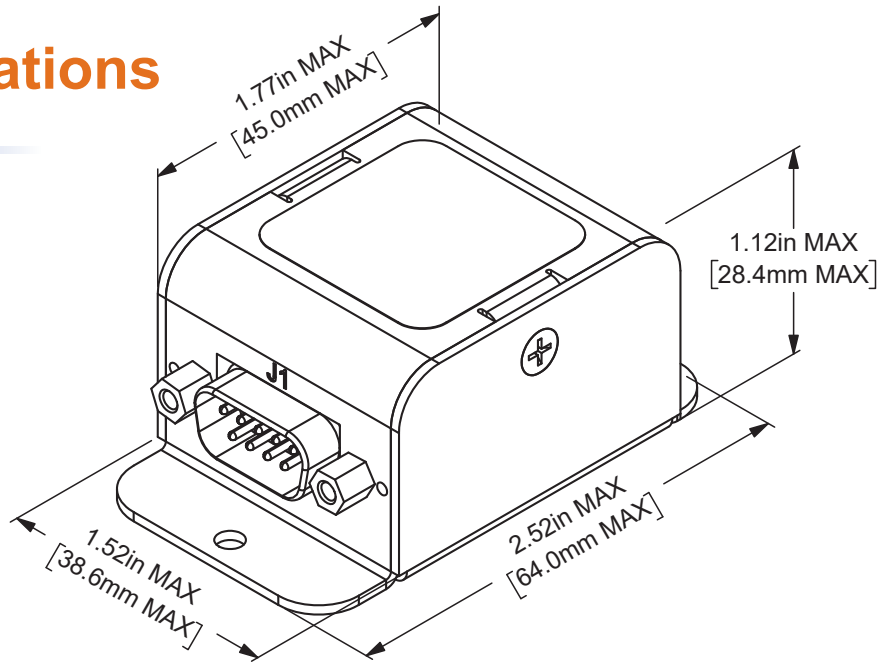
Typical Application



JA41-004 Specifications

Installation

Weight: 0.13 lbs [0.06 kg] MAX.



Environment and Performance

Operating Temperature	-40 C to +70 C
Survival Temperature	-55 C to +85 C
Altitude	50,000 ft. max
Humidity	95%, 48 hrs
Shock	20g (any axis)
Max Power / Channel	50 mW
Installation Kit	INST-41004