



JA94-R08A Dual Audio Controller Remote Mount - PAX ICS & TX Data Sheet



Description

The JA94-R08A is a secondary audio controller that is connected to a primary audio controller to provide support for up to 8 additional headsets.

All 8 headsets have VOX and PTT ICS. User 1 has TX PTT on up to 5 transceivers and User 2 has TX PTT on COM2. Both Users 1 and 2 have receive capability on NAV to NAV3.

Uni-Directional ICS inputs and outputs support connection to audio systems without bi-directional tie-lines. The JA94-R08A ICS may be isolated from the primary ICS with an external switch.

By using a Windows™ based application (ProCS™), configuration audio routing and levels may be changed via a 3.5mm jack, even after installation in the aircraft.

The JA94-R08A will support external VOX control and TX Select.

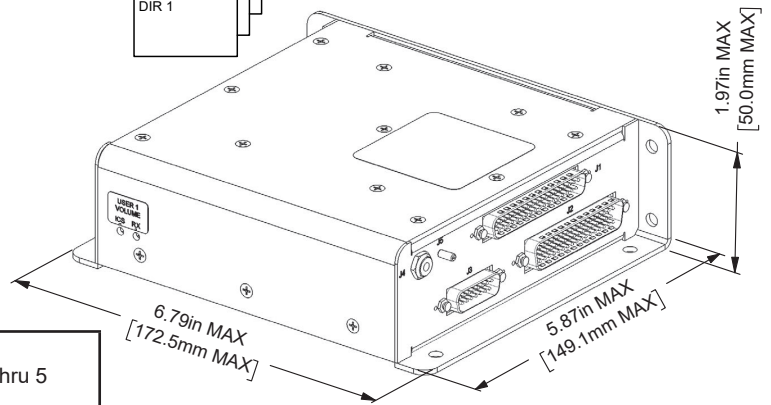
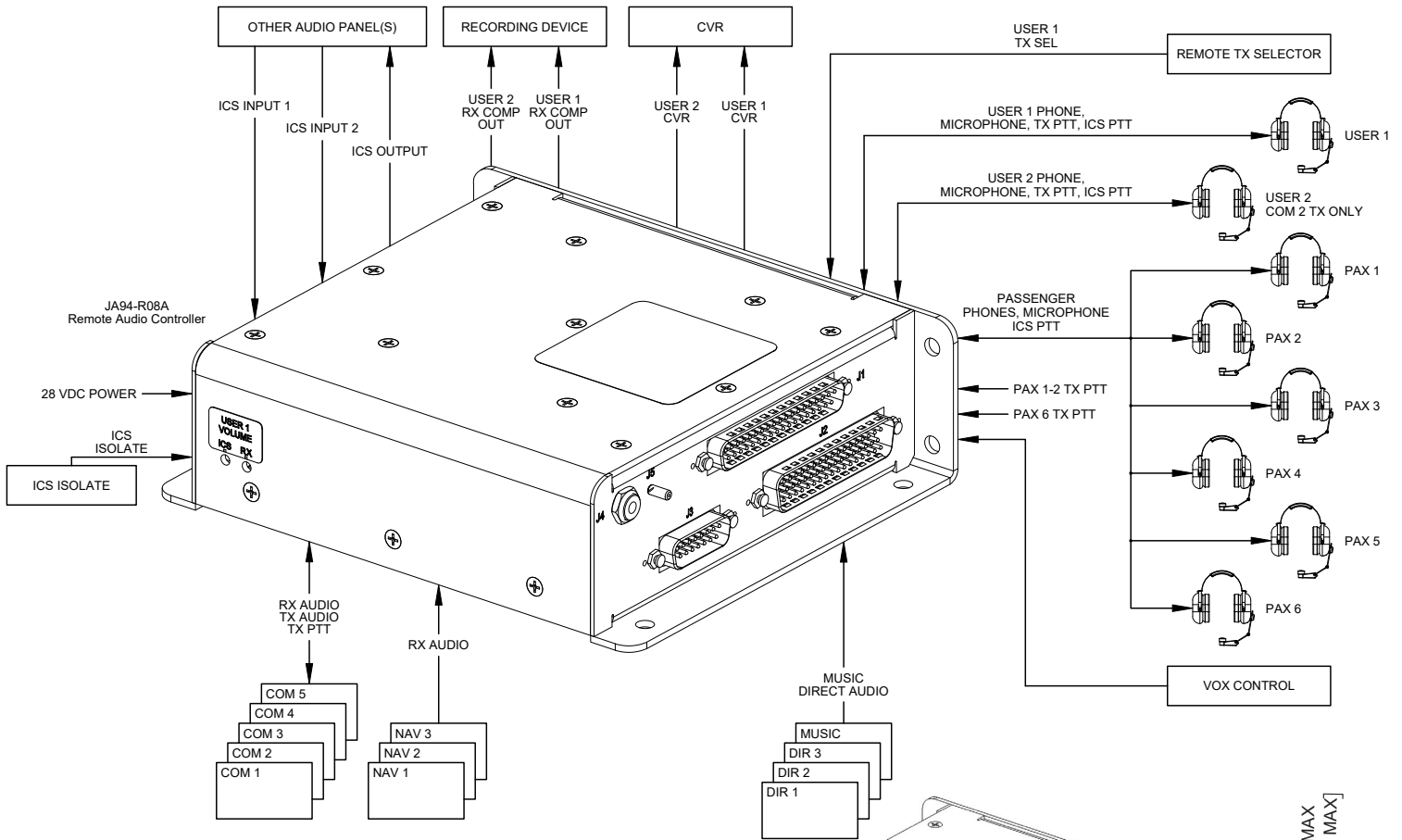
Features

- Supports up to 8 headsets
- COM1 to COM5 TX selectable for User 1
- COM2 TX for User 2
- VOX and PTT ICS
- Passive emergency mode operation
- Field configurable settings
- External VOX control
- External ICS Isolate



JA94-R08A Specifications

Installation



Environment and Performance

| | |
|----------------------------------|---|
| Rated Input Level | 1 to 10 Vrms for mixer 3 inputs 1 and 2 1 to 10 Vrms for mixer 1 and 2 inputs 1 thru 5 0.25 Vrms for mixer 1 and 2 inputs 6 |
| Rated Output Level, Mixers 1 & 2 | 8.7 Vrms +/- 10% |
| Rated Output Level, Mixer 3 | 2.50 Vrms +/- 10% |
| Audio Frequency Re- | ≤ 3dB from 300 to 6000 Hz |
| Electrical Power | 22 to 32.2 Vdc, 1.5A to 0.95A max |
| Temperature Operational | -45 °C to +70 °C |
| Survival | -55 °C to +85 °C |
| Altitude | 50,000 ft. max |
| Humidity | 95% |
| Shock | 6g (any axis) |
| TSO Compliance | TC CAN-TSO C139 |
| Installation Kit | INST-94R08 |

Weight: 1.90 lbs [0.86 kg] Max.



Printed in Canada