



JDROP-001

Drop Cord

Data Sheet

The JDROP-001 allows a user's headset to reliably access the intercom and radio functions of the aircraft audio system.

The U-92A/U headset connector allows a standard helicopter headset to plug directly into the JDROP-001. The cable has an industry standard 6 pin circular connector to connect to the aircraft wiring.

The unit is designed for use in harsh environments and essential controls are easy to access. (Momentary ICS PTT, Locked ICS PTT and Radio PTT.)

The field configurable switches allow the same unit to be adapted to different aircraft wiring systems.



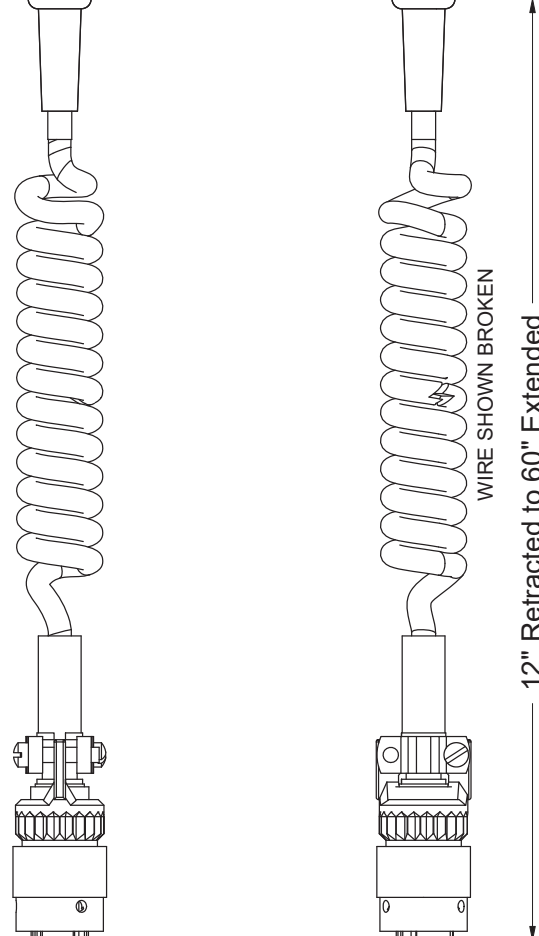
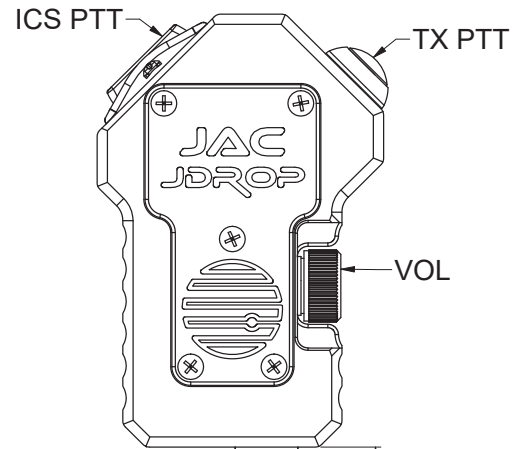
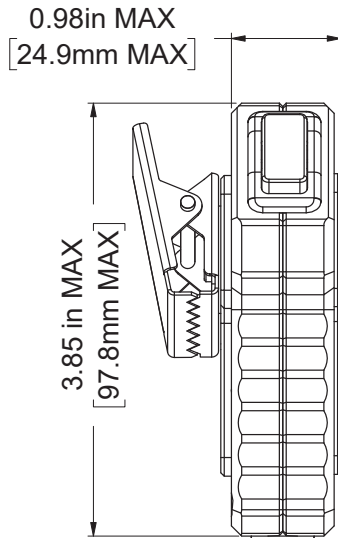
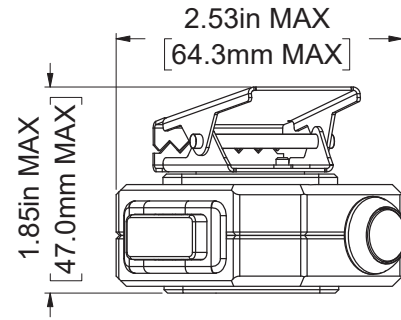
Features

- Durable anodised black aluminium housing
- Recessed volume control for easy adjustment of headphones level
- Swivel Clip for quick attachment
- Curly cord extends up to 5ft (1.5m)
- 8 integral configuration switches to cover 14+ different aircraft wiring configurations



JDROP-001 Specifications

Dimensions



Weight: 0.37 lbs [166.1 g] MAX.

Environment and Performance

Operational Temperature	-45 °C to +70 °C
Humidity	95%
Altitude	25,000 ft. MAX
Shock	20g (any axis)
Case Material	Alluminum